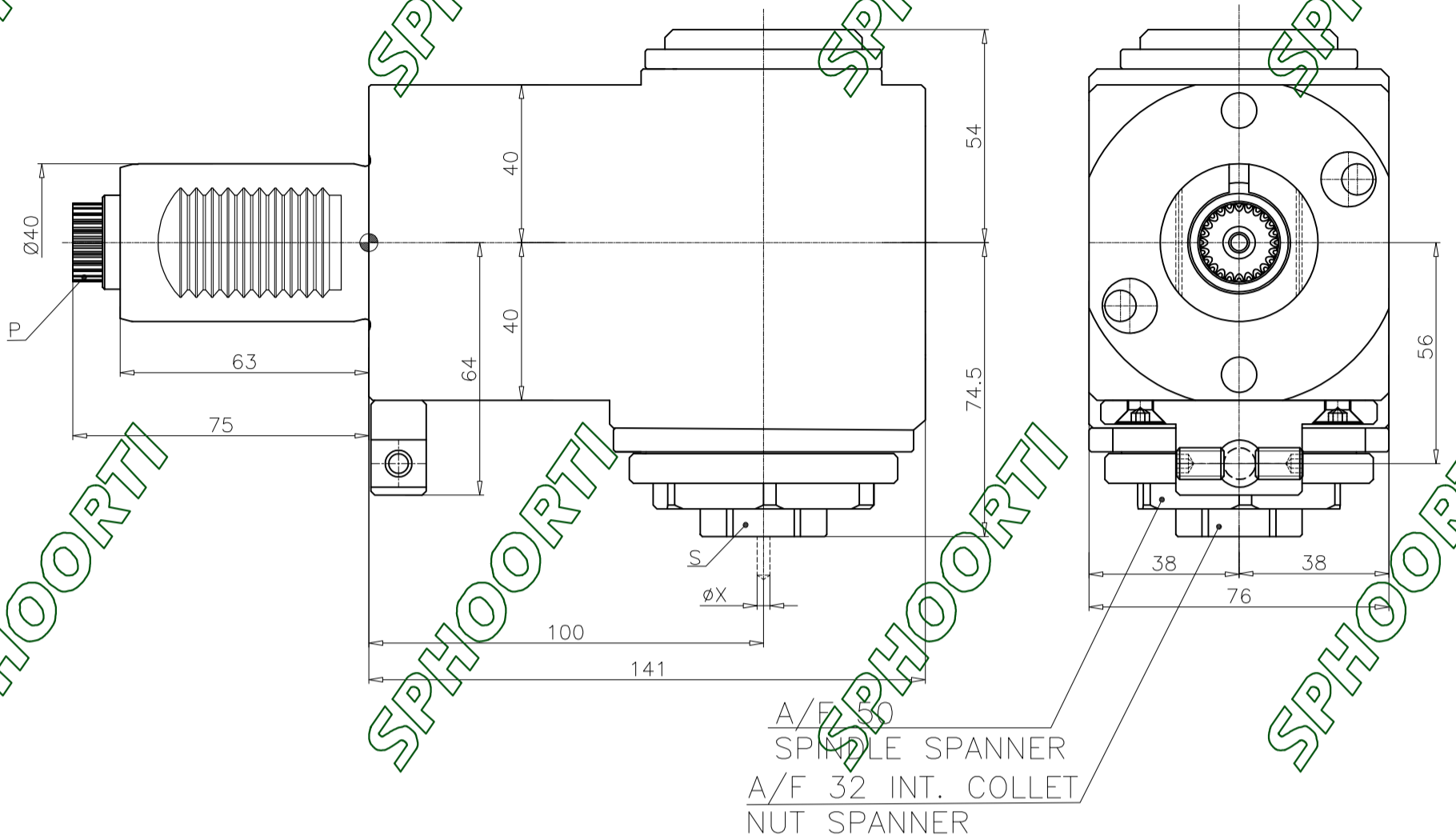


DRILLING AND MILLING HEAD, RADIAL, RIGHT & LEFT HAND, ER32  
DIRECT, EXTERNAL COOLANT SUPPLY



TECHNICAL SPECIFICATIONS

ITEM ID	SD6640
ITEM DESCRIPTION	RTH40-ER32-CH100-DIN5480-RAD-R-L
SPINE (P)	DIN5480 W20x0.8x30x24-9b
RATIO	1:1
INPUT RPM	max 5000 RPM
OUTPUT RPM	max 5000 RPM
OUTPUT TORQUE	70 N-m
DIRECTION OF ROTATION	INPUT=OUTPUT
COLLET (S)	ER32(DIN6499)
COLLET RANGE (X)	Ø2-Ø20

SCOPE OF DELIVERY : SUPPLIED WITH A/F 50 SPINDLE SPANNER AND INT. COLLET NUT(S)

NOTE : A/F 32 INT. COLLET NUT SPANNER WILL BE GIVEN AT ADDITIONAL COST

Scale	Title	Drawn	Approved	Projection
1:1	<b>RTH40-ER32-CH100-DIN5480-RAD-R-L</b>	by SANTHOSH.N	RRK	
A4		date 04-04-2024	04-04-2024	
<b>SPHOORTI</b>		<b>SPHOORTI MACHINE TOOLS PVT.LTD</b>		Sheet No. <b>SD6640</b>
		BANGALORE-560058		No.of Sheets 01 Sheet No. 01