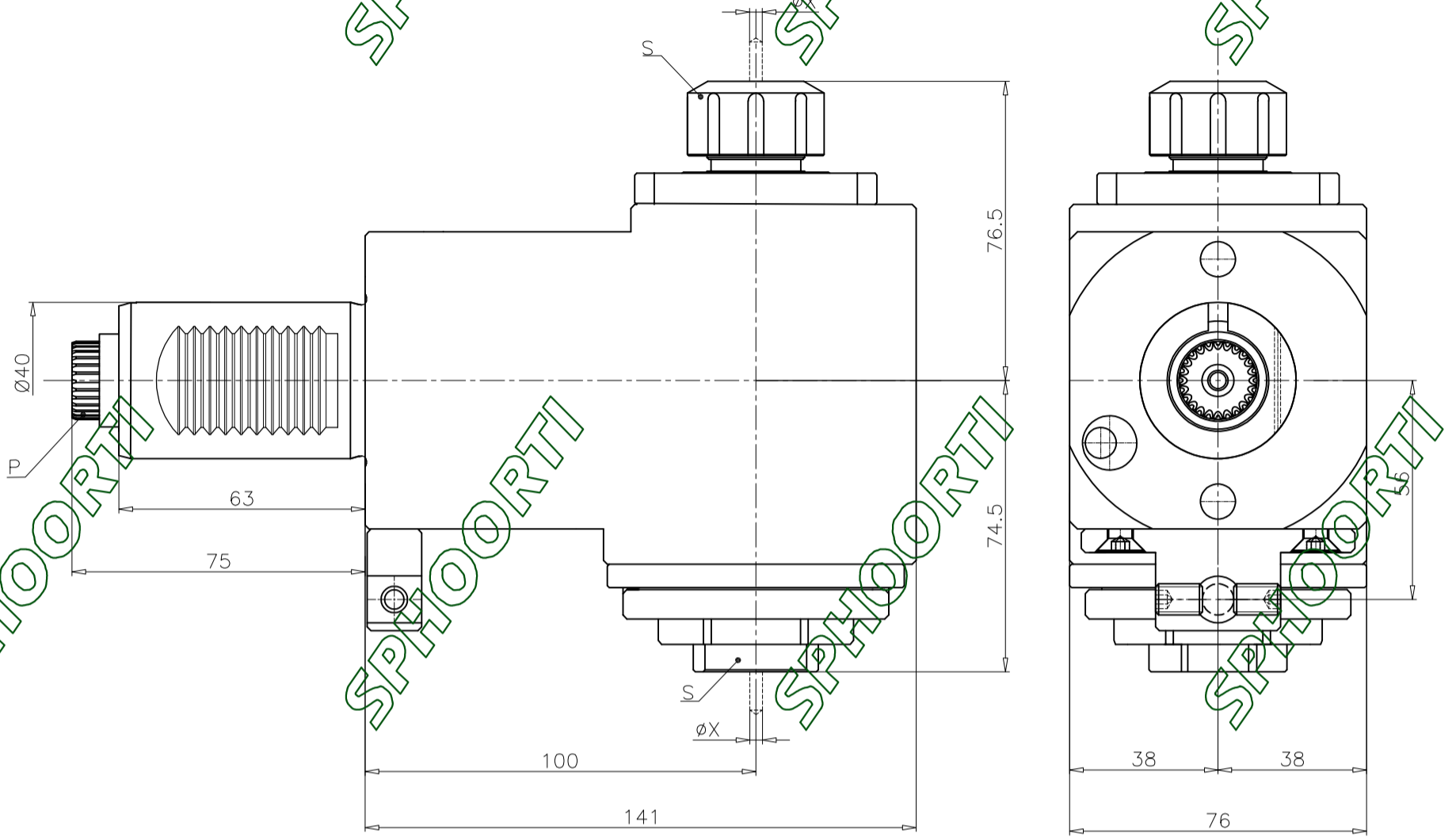


DRILLING AND MILLING HEAD, RADIAL, RIGHT HAND, ER32, ER20
DIRECT, EXTERNAL COOLANT SUPPLY



TECHNICAL SPECIFICATIONS

ITEM ID	SD6219
ITEM DESCRIPTION	RTH40-ER32-ER20-CH100-DIN5480-RAD
SPINDLE (P)	DIN5480 W20x0.8x30°x24-9b
RATIO	1:1
INPUT RPM	max 5000 RPM
OUTPUT RPM	max 5000 RPM
OUTPUT TORQUE	70 N-m
DIRECTION OF ROTATION	INPUT=OUTPUT
COLLET (S)	ER32 AND ER20(DIN6499)
COLLET RANGE (X)	Ø2-Ø20 & Ø2-Ø13

SCOPE OF DELIVERY : SUPPLIED WITH SPINDLE SPANNER AND COLLET NUT

Scale	Title	Drawn	Approved	Projection
1:1	RTH40-ER32-ER20-CH100-DIN5480-RAD	by ANIL.K.B.	RRK	
A4		date 11/02/2017	11/02/2017	
SPHOORTI SPHOORTI MACHINE TOOLS PVT.LTD BANGALORE-560058		Sheet No. SD6219		No.of Sheets NTS Sheet No. NTS