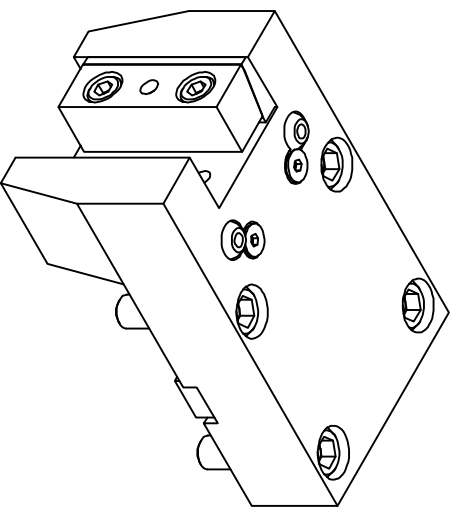
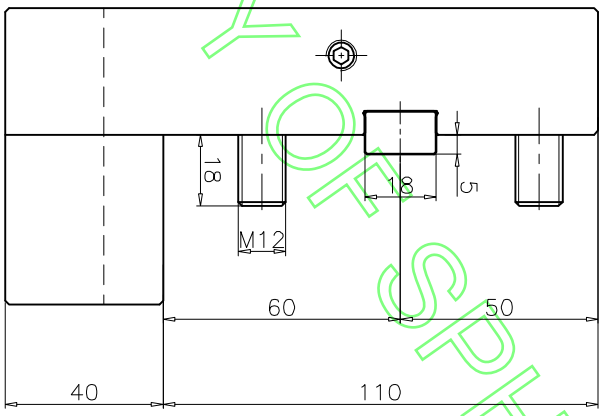
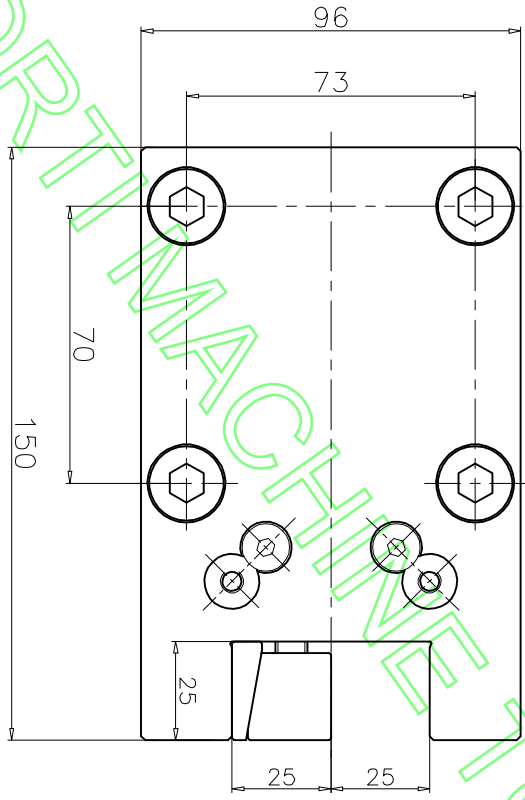
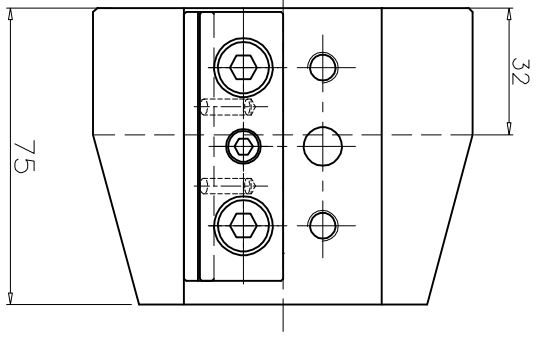


DO NOT SCALE THE DRG. ASK IF IN DOUBT. REMOVE SHARPE EDGES



MACHINING DEVIATIONS WHERE NOT SPECIFIED		Angular Dimension		Deviation in	
Linear Dimension	Deviation	Length of Shorter side of Angle	Upto	mm per 100 mm	Degree or Minutes
Above 6	±0.1	Above 10	10	±1.8	±10'
0.5	±0.2	10	50	±0.6	±30'
6	±0.3	50	120	±0.3	±10'
30	±0.3	120	180	±0.3	±10'
100	±0.5	180			
375	±0.8				
1000	±1.2				
2000	±1.2				

**B65 RTH 18-25 L150-32**

SCALE	1:1	TITLE	
SIZE	(A4)		
THE INFORMATION CONTAIN HEREIN IS UNCLASSIFIED UNLESS INDICATED OTHERWISE AND SHALL BE TREATED AS CONFIDENTIAL			
SPHOORRTI BANGALORE		DRAWING No. SD48502	
by ABHISHEK		DRAWN	
chd 18-01-19		CHECKED	
		APPROVED	
		P. SEKAR	
REV	01	DATE	18-01-19
SHEET	01 OF 01	INDEX	