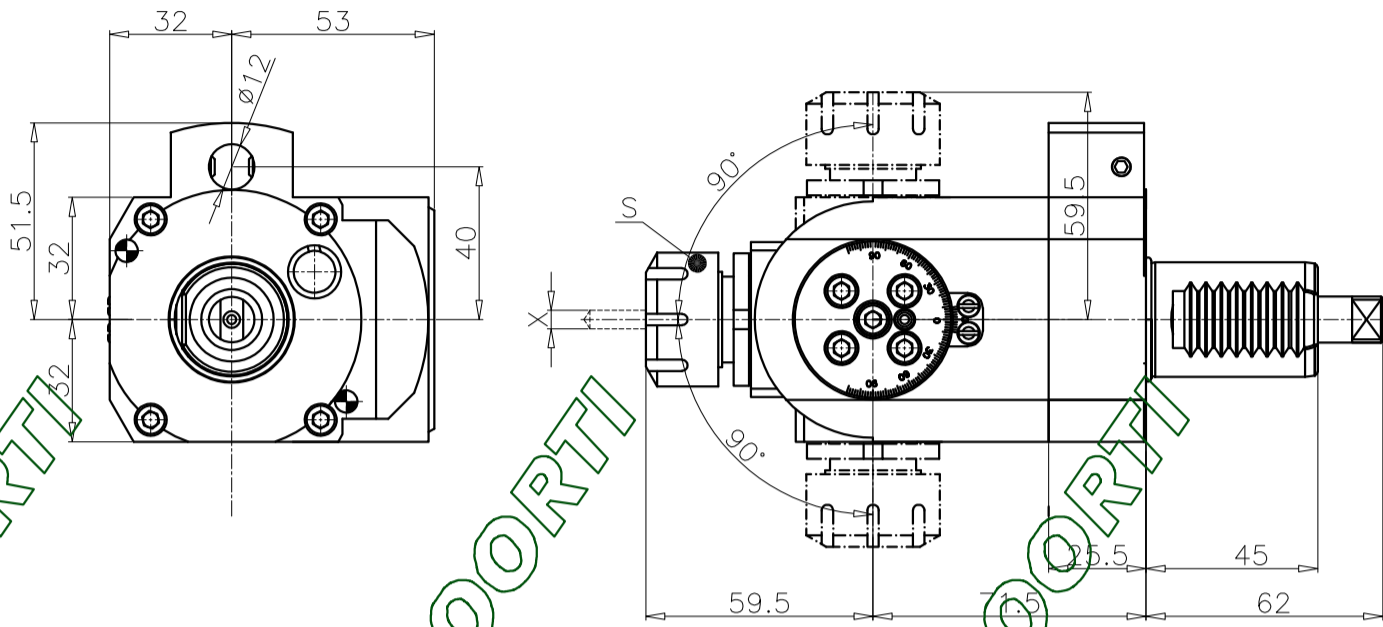


DRILLING AND MILLING HEAD, AXIAL & RADIAL, ER20, EXTERNAL COOLANT SUPPLY



TECHNICAL SPECIFICATIONS

ITEM ID	SD6145
ITEM DESCRIPTION	RTH30A-ER20-CH71.5-DIN1809
SPLINE (P)	Ø12X6
RATIO	1:1
INPUT RPM	max 4000 RPM
OUTPUT RPM	max 4000 RPM
OUTPUT TORQUE	25 N·m
DIRECTION OF ROTATION	INPUT=OUTPUT
COLLET (S)	ER20 (DIN6499)
COLLET RANGE (X)	Ø2-Ø13

SCOPE OF DELIVERY : SUPPLIED WITH SPINDLE SPANNER AND COLLET NUT ONLY

Scale
A4

RTH30A-ER20-CH71.5-DIN1809

Drawn	Approved	Projection
by SATHISH	R.R.K	
date 17-10-17	17-10-17	

SPHOORTI

SPHOORTI MACHINE TOOLS PVT LTD
BANGALORE-560058

Sheet No. **SD6145**
No. of Sheets 01 Sheet No. 01