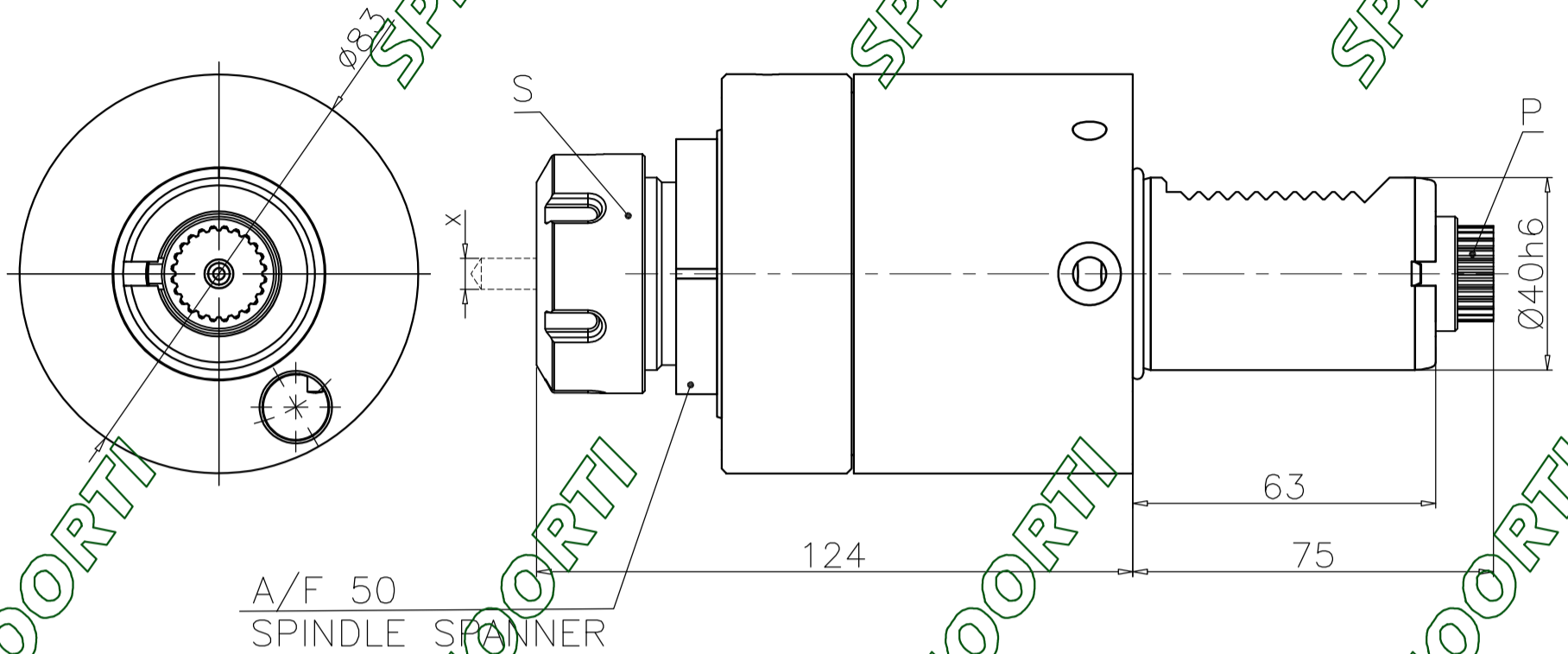


DRILLING AND MILLING HEAD, AXIAL, ER32, EXTERNAL COOLANT SUPPLY



A/F 50
SPINDLE SPANNER

TECHNICAL SPECIFICATIONS

ITEM ID	SD6224
ITEM DESCRIPTION	ATH40-ER32-DIN5480-R-EXT-NUT
SPLINE (P)	DIN5480 W20X0.8X30°X24-9b
RATIO	1:1
INPUT RPM	max 5000 RPM
OUTPUT RPM	max 5000 RPM
OUTPUT TORQUE	70 N-m
DIRECTION OF ROTATION	INPUT=OUTPUT
COLLET (S)	ER32 (DIN6499)
COLLET RANGE	∅2-∅20

SCOPE OF DELIVERY : SUPPLIED WITH A/F 50 SPINDLE SPANNER AND ER COLLET NUT(S)

NOTE : ER COLLET NUT SPANNER WILL BE GIVEN AT ADDITIONAL COST

Scale Title

ATH40-ER32-DIN5480-R-EXT-NUT

Drawn

by SANTHOSH.N

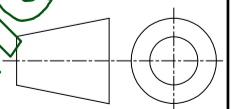
Approved

RRK

Projection

date 06-03-20

06-03-20



SPHOORTI

SPHOORTI MACHINE TOOLS PVT LTD

BANGALORE-560058

Sheet No.

SD6224

No.of Sheets 01

Sheet No. 01