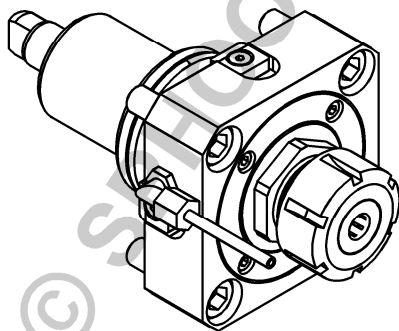
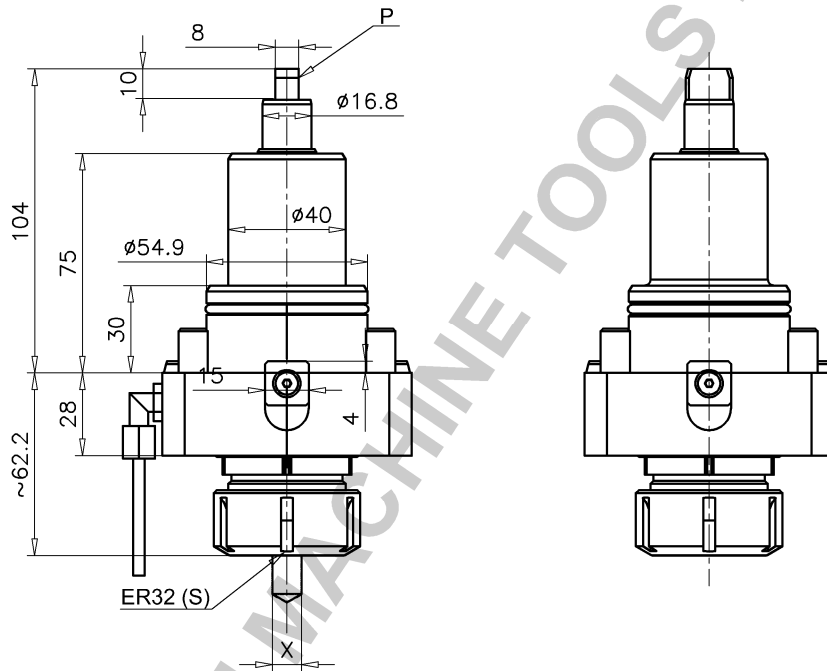
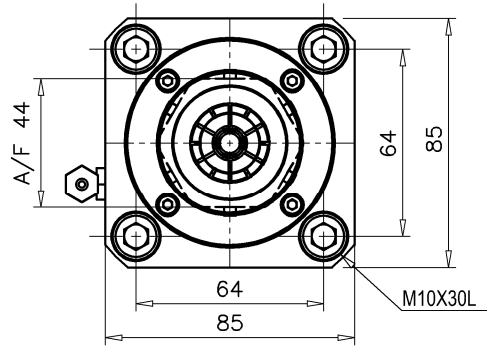


DRILLING AND MILLING HEAD,
AXIAL 0°, ER32, EXTERNAL COOLANT SUPPLY



TECHNICAL SPECIFICATIONS

| | |
|-----------------------|------------------------------|
| ITEM ID | SD7137 |
| ITEM DESCRIPTION | B55-ATH ER32 DIN1809 EXT.NUT |
| COUPLING TYPE (P) | DIN1809-Ø16X8 |
| RATIO | 1:1 |
| INPUT RPM | Max 6000 RPM |
| OUTPUT RPM | Max 6000 RPM |
| OUTPUT TORQUE | 40 N-m |
| DIRECTION OF ROTATION | INPUT=OUTPUT |
| COLLET (S) | ER32 (DIN6499) |
| COLLET RANGE (X) | Ø2-Ø20 |
| MASS OF TOOL HOLDER | ~2.9 Kgs |

| | | | | |
|------------------------------|---------------------------------------|--|-------------------------------|--|
| Scale 1:2.5 Size A4 | Title B55-ATH ER32 DIN1809 EXT.NUT | Drawn by VASANTH date 03.09.20 | Approved R.R.K 03.09.20 | Projection |
| | | SPHOORTI MACHINE TOOLS PVT LTD BANGALORE-560058 | | DRAWING NO: SD7137 No.of Sheets 01 Sheet No. 01 |