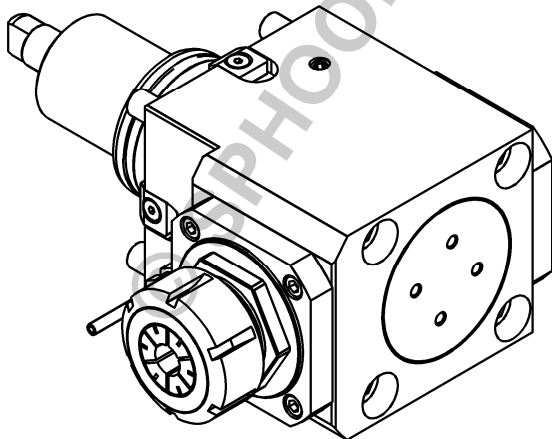
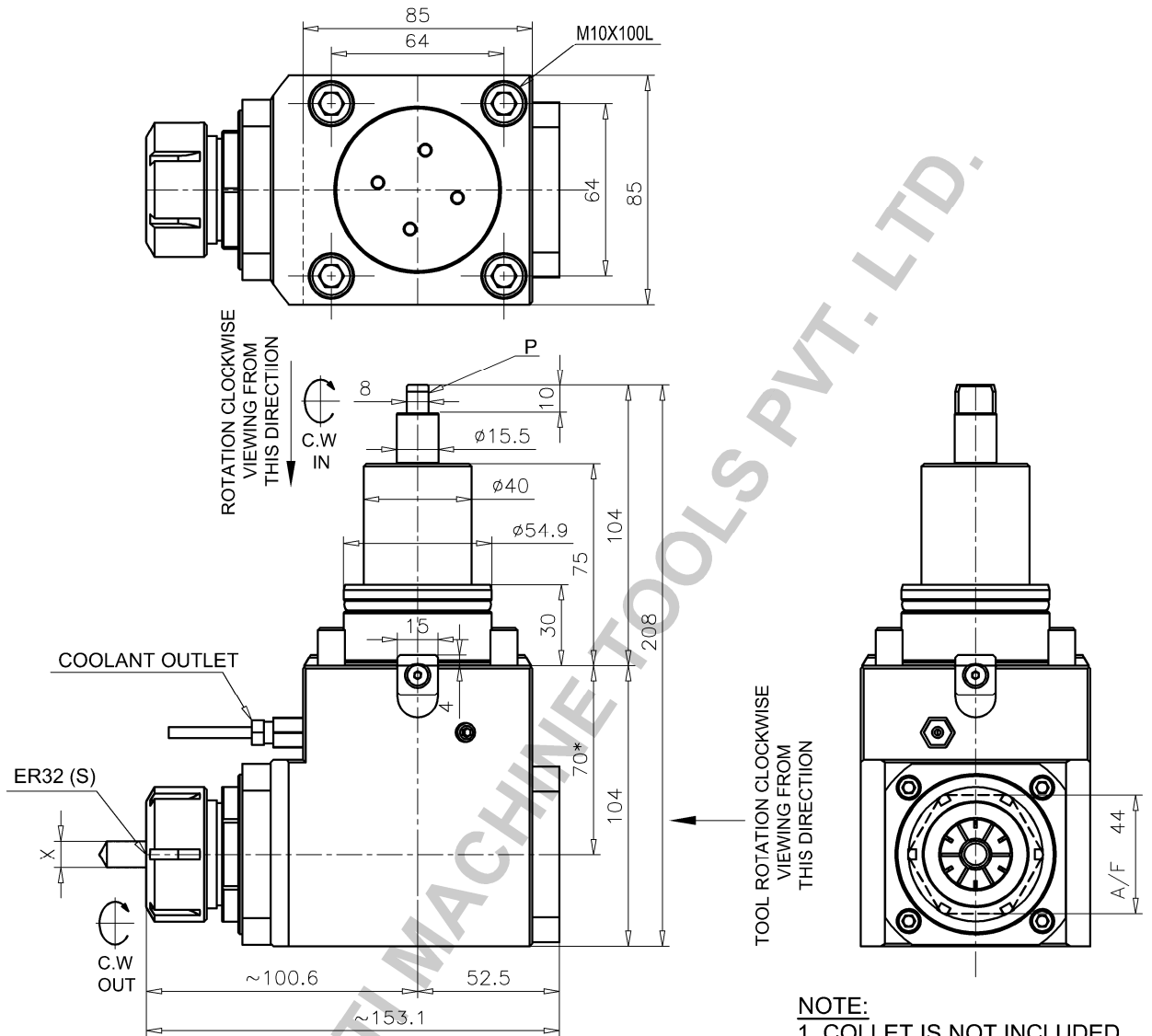


DRILLING AND MILLING HEAD,  
RADIAL 90°, ER32, EXTERNAL COOLANT SUPPLY



TECHNICAL SPECIFICATIONS

ITEM ID	SD7133
ITEM DESCRIPTION	B55-RTH-ER32-CH 70-DIN1809 EXT.NUT
COUPLING TYPE (P)	DIN1809-Ø16X8
RATIO	1:1
INPUT RPM	Max 6000 RPM
OUTPUT RPM	Max 6000 RPM
OUTPUT TORQUE	40 N-m
DIRECTION OF ROTATION	INPUT=OUTPUT
COLLET (S)	ER32 (DIN6499)
COLLET RANGE (X)	Ø2-Ø20
MASS OF TOOL HOLDER	~7 Kgs

Scale  
1:2.5  
Size  
A4

Title  
B55-RTH-ER32-CH 70-DIN1809 EXT.NUT

Drawn  
by VASANTH  
date 29.08.20

Approved  
P.SEKAR  
29.08.20

Projection

**SPHOORTI**

SPHOORTI MACHINE TOOLS PVT LTD  
BANGALORE-560058

DRAWING NO:  
**SD7133**

No.of Sheets 01 Sheet No. 01