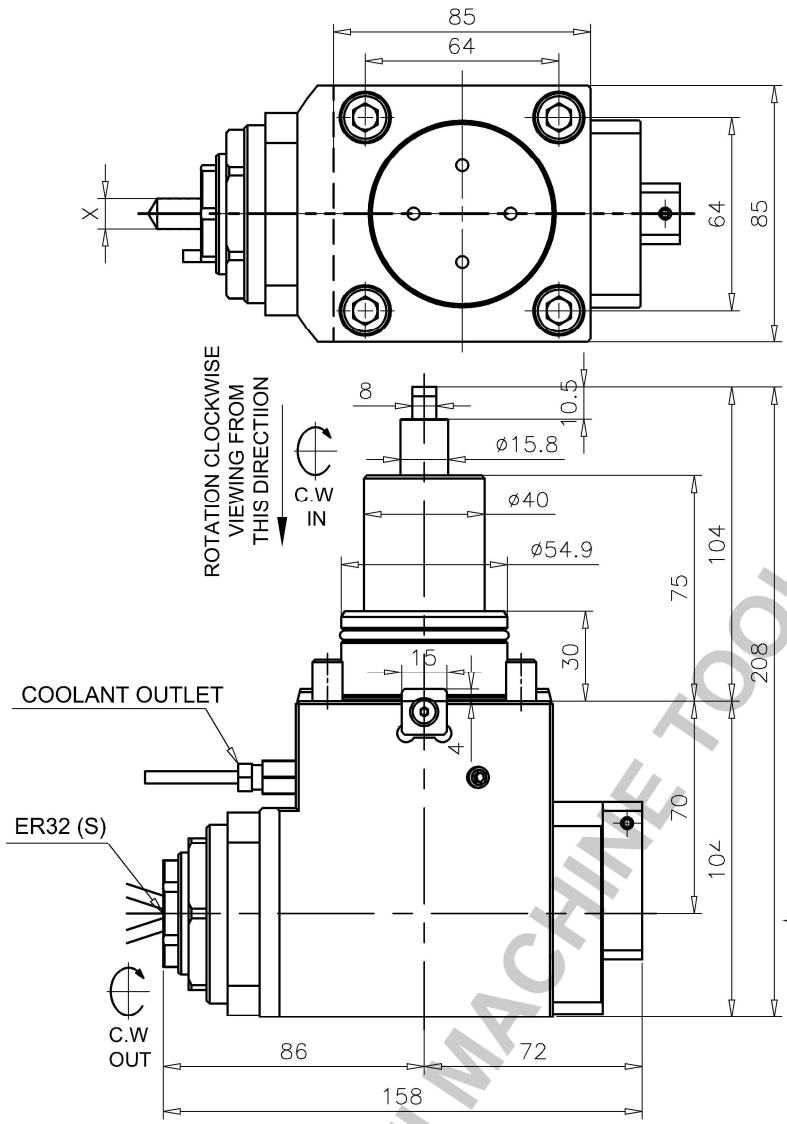
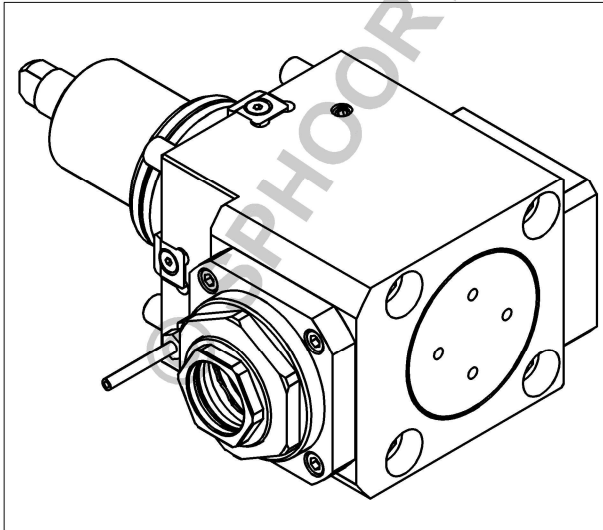
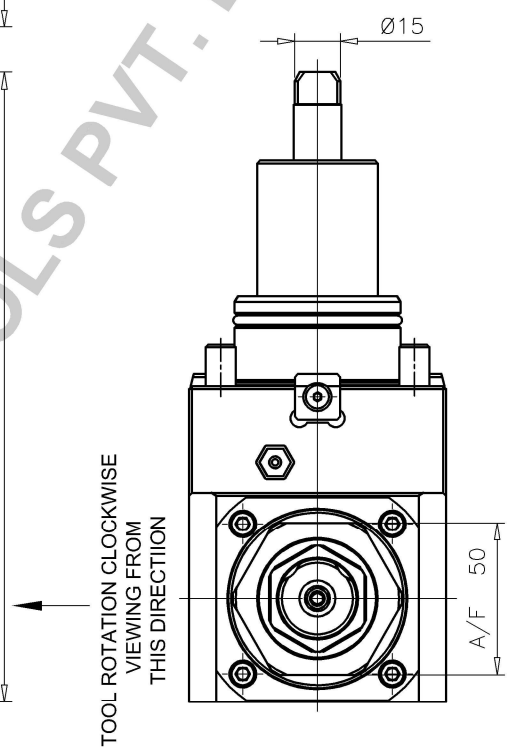


DRILLING AND MILLING HEAD,
RADIAL 90°, ER32, INTERNAL & EXTERNAL COOLANT SUPPLY



- NOTE:**
1. INTERNAL COOLANT=100BAR
 2. SUITABLE FOR COLLET DIN6499
 3. COLLET NOT INCLUDED
 4. DRY RUN IS ALLOWED
 5. COOLANT FILTRATION 30μ (MAX60μ)



TECHNICAL SPECIFICATIONS

ITEM ID	SD7170
ITEM DESCRIPTION	B55-RTH-ER32-CH-70-DIN1809 INT NUT-TC
COUPLING TYPE (P)	DIN1809-Ø15X8X10.5
RATIO	1:1
INPUT RPM	Max 6000 RPM
OUTPUT RPM	Max 6000 RPM
OUTPUT TORQUE	40 N-m
DIRECTION OF ROTATION	INPUT=OUTPUT
COLLET (S)	ER32 (DIN6499)
COLLET RANGE (X)	Ø2-Ø20
MASS OF TOOL HOLDER	6.6 Kgs

Scale 1:2.5	Title B55-RTH-ER32-CH-70-DIN1809 INT NUT-TC	Drawn by SATHISH	Approved SATHISH	Projection
Size A4		date 20-10-23	20-10-23	
SPHOORTI		SPHOORTI MACHINE TOOLS PVT LTD BANGALORE-560058		DRAWING NO: SD7170
		No. of Sheets 01	Sheet No. 01	