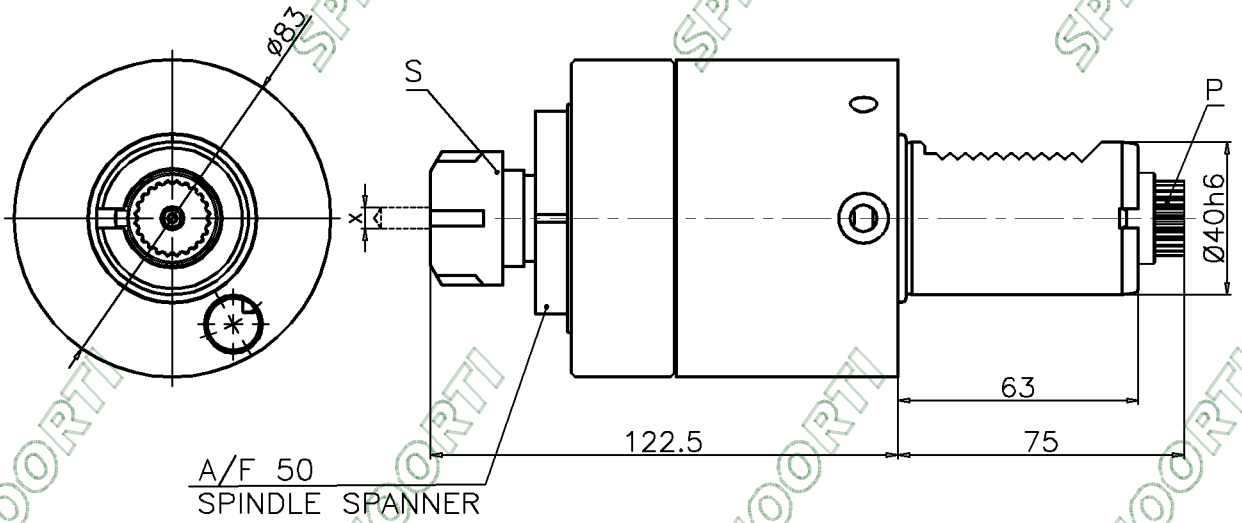


DRILLING AND MILLING HEAD, AXIAL, ER25, EXTERNAL COOLANT SUPPLY



TECHNICAL SPECIFICATIONS

ITEM ID	SD6682
ITEM DESCRIPTION	ATH40-ER25-DIN5480-R-EXT-NUT
SPLINE (P)	DIN5480 W20X0.8X30°X24-9b
RATIO	1:1
INPUT RPM	max 5000 RPM
OUTPUT RPM	max 5000 RPM
OUTPUT TORQUE	70 N-m
DIRECTION OF ROTATION	INPUT=OUTPUT
COLLET (S)	ER25 (DIN6499)
COLLET RANGE	Ø1-Ø16

SCOPE OF DELIVERY : SUPPLIED WITH A/F 50 SPINDLE SPANNER AND ER COLLET NUT(S)

NOTE : ER COLLET NUT SPANNER WILL BE GIVEN AT ADDITIONAL COST

Scale
NTS
Size
A4

Title
ATH40-ER25-DIN5480-R-EXT-NUT

Drawn
by ABHISHEK.G.L
date 21-02-25

Approved
ANIL.K.B
21-02-25



SPHOORTI

SPHOORTI MACHINE TOOLS PVT LTD
BANGALORE-560058

Sheet No.

SD6682

No. of Sheets 01 Sheet No. 01